

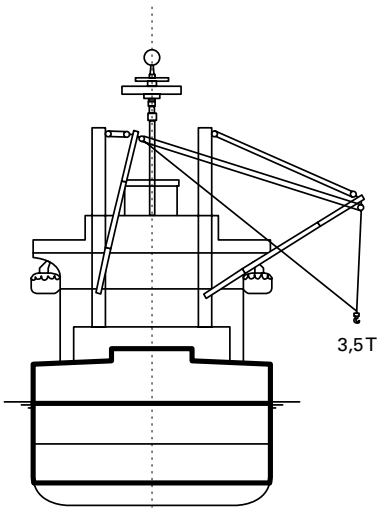
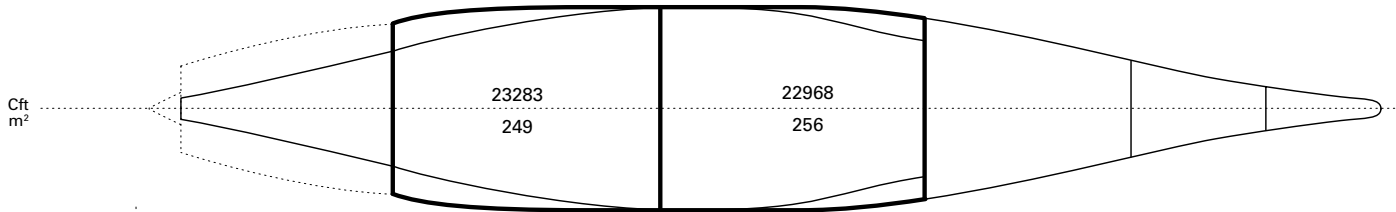
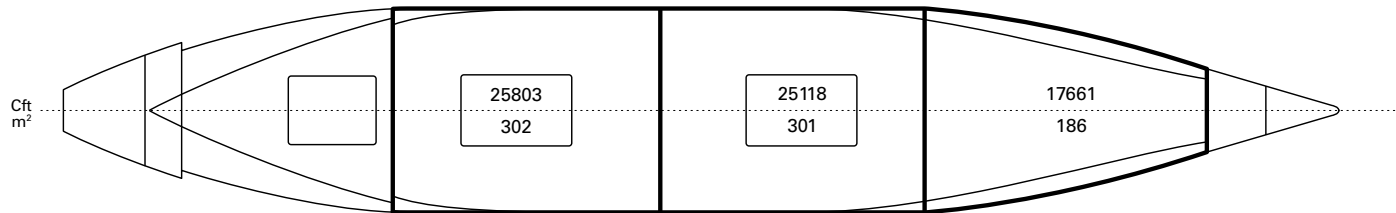
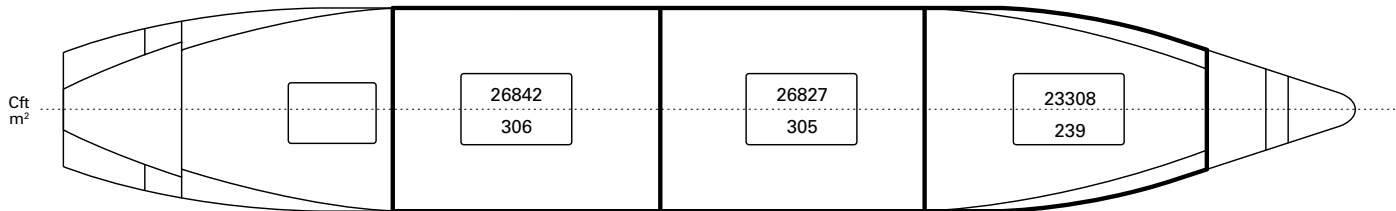
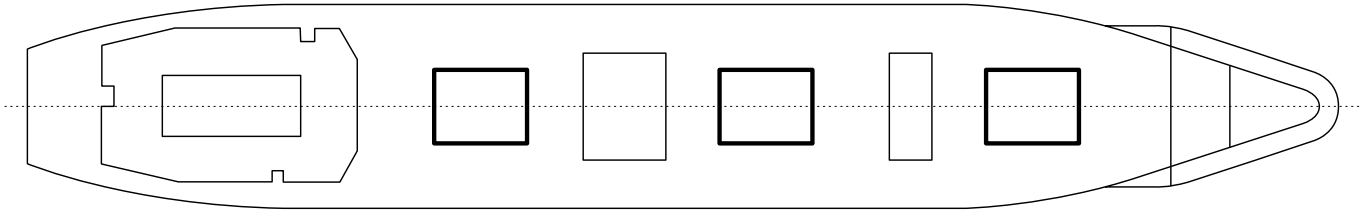
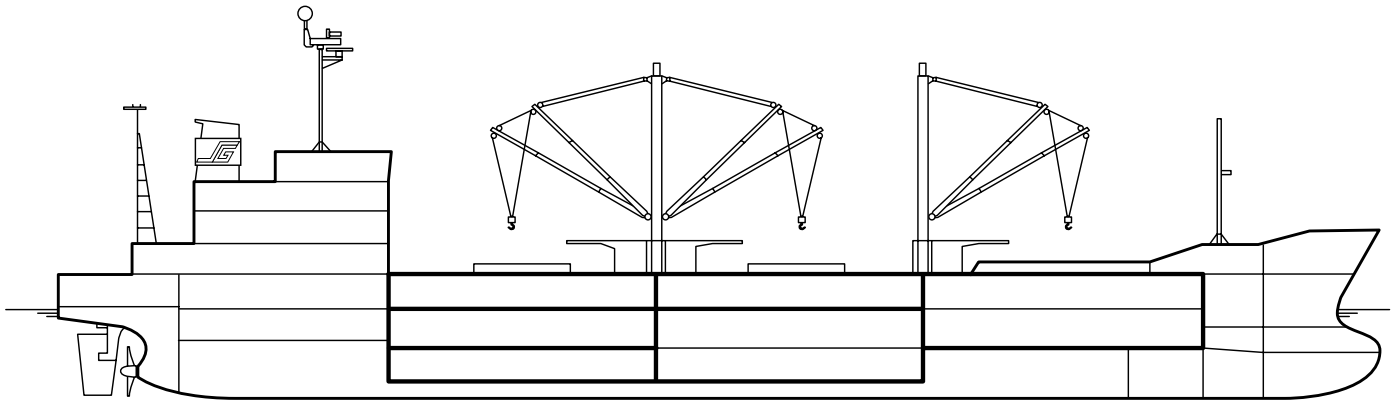
# ASIATIC • 191.810 Cft / 1.600 pallets

## Main Particulars

<b>Flag:</b>	Bahamas	<b>Holds/Hatches/Compartment:</b>	3/3/8
<b>Callsign:</b>	C.6.K.E.3.	<b>Ventilation/Airchanges:</b>	Vertical/ 90
<b>Lloyds Reg. Nr:</b>	8608743	<b>Different Temps:</b>	6/ various per hold
<b>Cubic:</b>	191.810 cft	<b>Derricks:</b>	6, SWL 5T (3 x 3,5T UP)
<b>Floorspace:</b>	2.144 m <sup>2</sup>	<b>Speed Banana Laden:</b>	abt. 16 knots
<b>Pallets:</b>	1.600	<b>Consumption (incl. reefer plant):</b>	abt. 16 MT IFO 180 + 3 MT MGO
<b>Built:</b>	1986	<b>Tank capacity:</b>	IFO 180 778 MT MGO 100 MT
<b>DWAT:</b>	4.988 MT		
<b>GT/NT:</b>	3.757/1.955		
<b>Loa:</b>	106,00 mtrs		
<b>Breadth o.a.:</b>	16,30 mtrs		
<b>Draft summer:</b>	7,01 mtrs		



# ASIATIC • 191.810 Cft / 1.600 pallets



Scale: 1/600

Hatch sizes on weatherdeck (Mtr)	Cubic feet / Square meters per compartment		
	Hold 1	Hold 2	Hold 3
1) 6,50 x 5,00	A: 23308/239	A: 26827/305	A: 26842/306
2) 6,50 x 5,00	B: 17661/186	B: 25118/301	B: 25803/302
3) 6,50 x 5,00		C: 22968/256	C: 23283/249

Particulars believed to be correct but not guaranteed.

0196



SCALDIS REEFER CHARTERING N.V.

General agent for Seatrade Group N.V. Curaçao